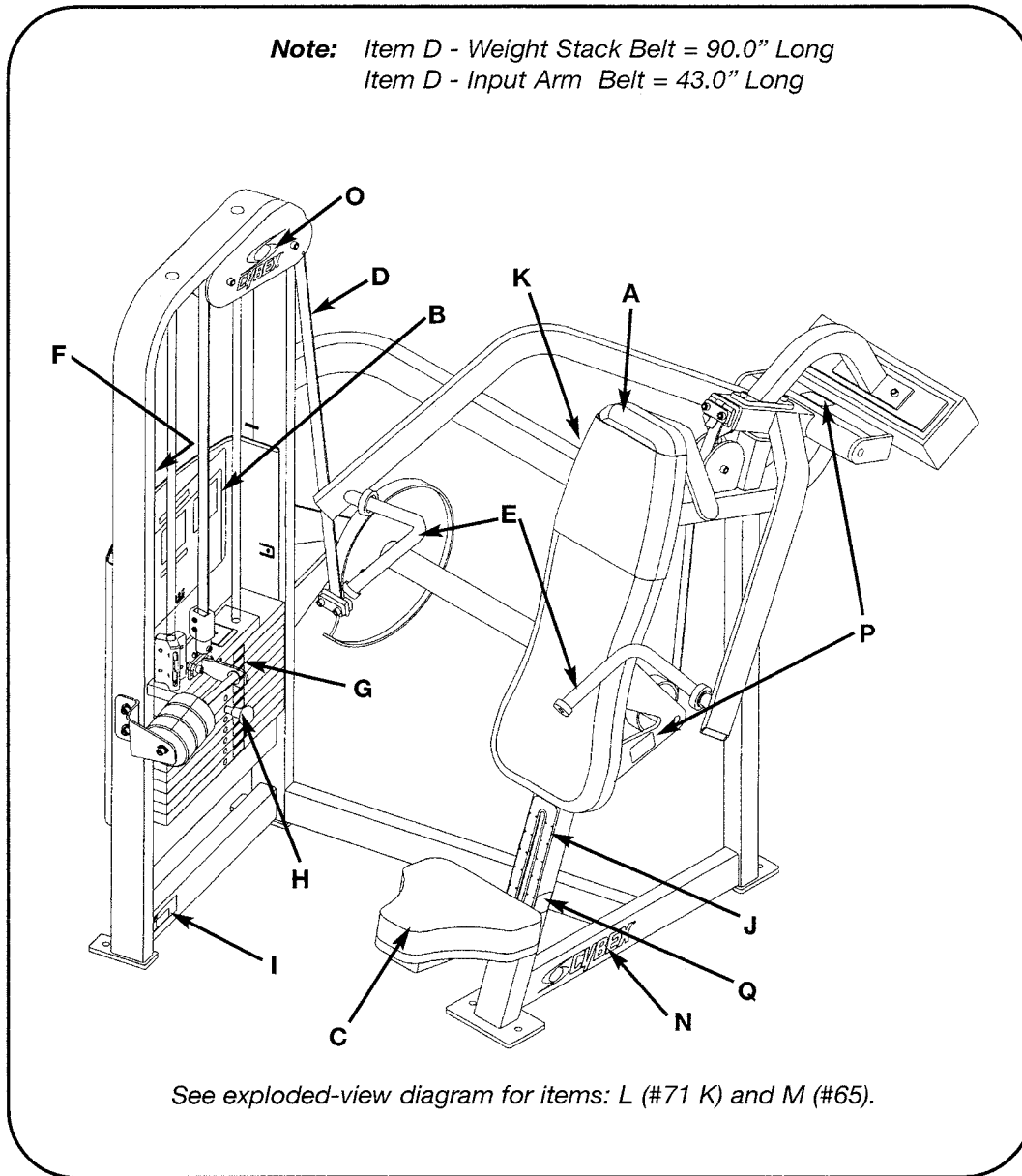


OVERHEAD PRESS - SINGLE AXIS

PRODUCT NO. 4526

PARTS LIST

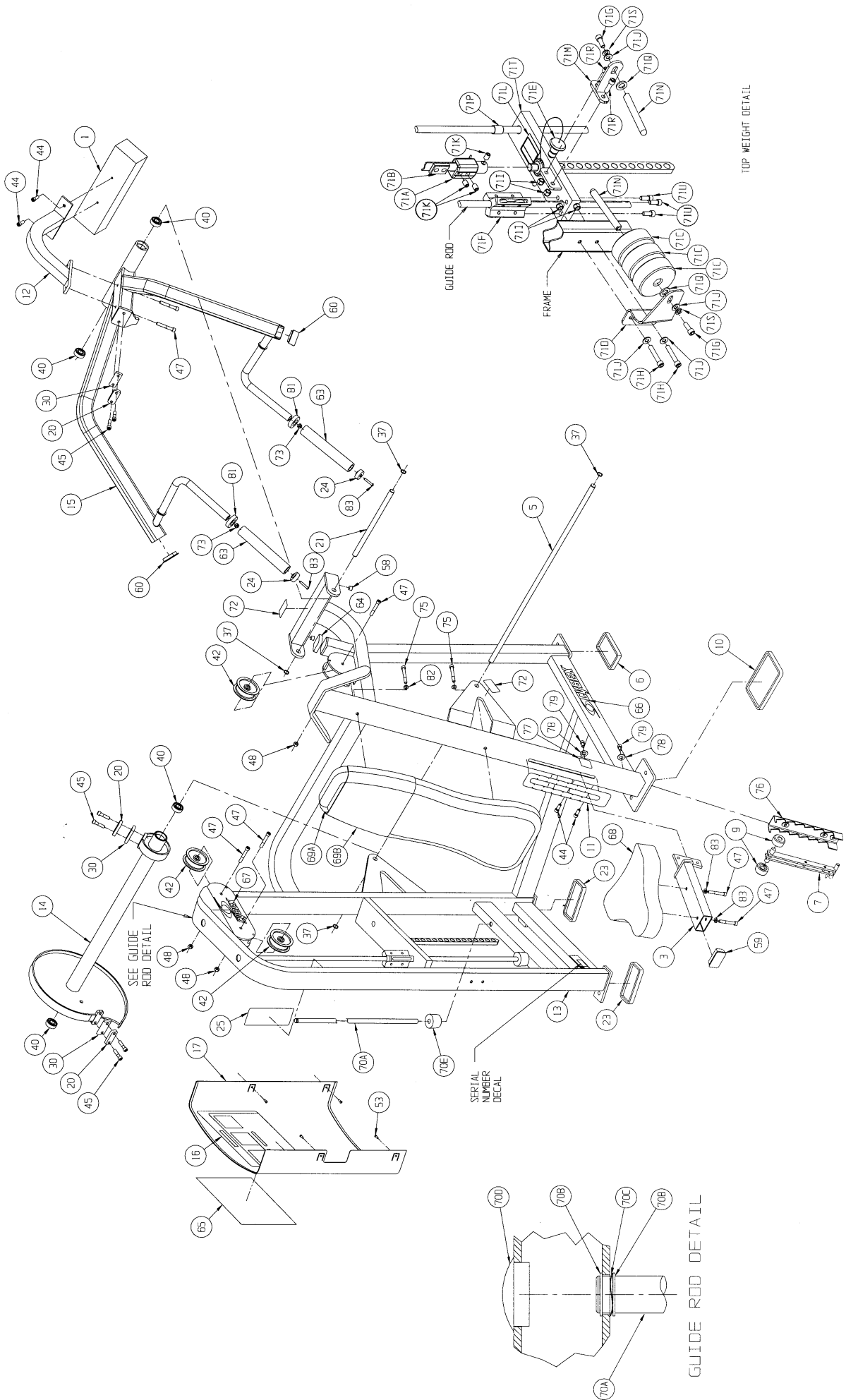


DESCRIPTION	PART NO.	DESCRIPTION	PART NO.
A. Back Cushion w/Wear Cover	██████████	K. Wear Cover (Item A)	██████████
B. Placard Decal	4526-598	L. Caution Decal	4605-424
C. Seat Cushion	4800-026	M. Cybex Decal Blk/Plm ...	3900-391
D. Belt	GB000202	M. Cybex Decal Wht/Wht ..	3900-419
E. Grip.....	4605-518	N. Cybex Decal Blk/Plm ...	3900-390
F. Warning Decal	4605-381	N. Cybex Decal Wht/Wht...	3900-415
G. Weight Plate Decal.....	4605-388	O. Cybex Decal Blk/Plm ...	3900-423
H. Weight Selector Pin.....	BH030207	O. Cybex Decal Wht/Wht ..	3900-424
I. Serial Number Decal		P. Caution Decal	4000Y316
J. Seat Adjustment Decal..	5221-316	Q. Caution Decal.....	4520-362

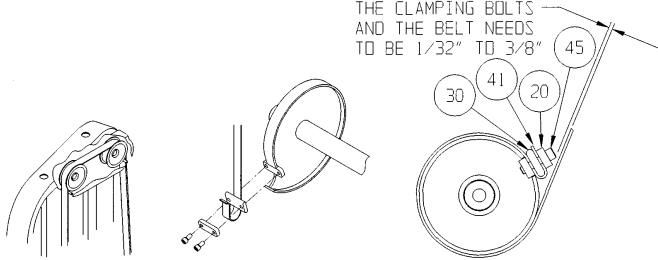
4526 - Overhead Press - Single Axis

ITEM	QTY	PART NO.	DESCRIPTION	ITEM	QTY	PART NO.	DESCRIPTION
1	1	ZC000001	Counterweight	59	1	PP090202	Plastic Insert 1.5x3.0 11 G
2			Not Used	60	2	PP090210	Plastic Insert 2.0sqx 10-14 G
3	1	4505-207	Seat	61			Not Used
4			Not Used	62			Not Used
5	1	4505-327	Pivot Shaft 35.72	63	2	4605-518	Grip 15" long
6	1	PR070001	Foot Pad 2.50 x 4.25	64	1	PU060204	Bumper
7	1	4520-212	Seat Roller	65			Removed 3/03
8	2	4520-331	Roller	65	1	3900-391	Cybex Decal 11.37 Vert. Blk/Plm
9			Removed	65	1	3900-419	Cybex Decal 11.37 Vert. Wht/Wht
10	1	PR070002	Foot Pad 4.00 x 7.00	66			Removed 3/03
11	1	5221-316	Seat Adjustment Decal	66	1	3900-390	Cybex Decal 1.57 Horiz. Blk/Plm
12	1	4525-203	Counterweight Bracket	66	1	3900-415	Cybex Decal 1.57 Horiz. Wht/Wht
13	1	4526-203	Frame	67	1	3900-423	Cybex Decal 4.85 Vert. Blk/Plm
14	1	4526-202	Cam	67	1	3900-424	Cybex Decal 4.85 Vert. Wht/Wht
15	1	4526-201	Arm	67			Removed 3/03
16	1	4526-598	Placard Decal	68	1	4800-026	Seat Cushion
17	1	4505-431	Guard	69 A	1	4800-009	Back Cushion w/Wear Cover
18			Not Used	69 B	1	4800-092	Wear Cover
19			Not Used	70	1	4701-021	Weight Stack Guide Rod Set
20	3	4605-300	Belt Clamp	70 A	2	4505-319	Weight Stack Guide Rod
21	1	4605-334	Pivot Shaft 13.06	70 B	4	BR030214	Retaining Ring .625
22			Not Used	70 C	2	HS407100	Spring Washer .65x.79 x .062 T
23	2	PR070003	Foot Pad 2.00 x 5.25	70 D	2	PN660200	Plastic Insert 1.00 Dia x 11 G
24	2	11090-374	End Cap	70 E	2	PR060005	Weight Bumper
25	1	4605-381	Warning Decal	71	1	4701-030	Sliding Increment Weight Set
26			Not Used	71 A	1	11040-216	Belt Clamp
27			Not Used	71 B	1	11040-301	Belt Clamp Insert
28	1	4605-388	Weight Plate Decal 10-290	71 C	3	4605-390	Increment Weight
29			Not Used	71 D			Removed 3/03
30	3	4605-394	Belt Clamp	71 E	1	BH030207	Weight Selector Pin
31			Removed 8/98	71 F	1	FB130208	Bearing Sleeve .68 x .81 1.00 L
32			Not Used	71 G	2	HC702817	SHCS .375-16 x 1.00
33			Not Used	71 H	2	HC702828	SHCS .375-16 x 2.25
34	1	4701-302	VR2 Weight Stack Instr (not shown)	71 I	4	HN704901	Nylon Locknut .375-16
35			Not Used	71 J	4	HS347600	Washer, SAE .375
36			Not Used	71 K	1	HY740000	Set Screw
37	4	BR030210	Retaining Ring 17 mm	71 L	1	4605-424	Caution Decal
38			Not Used	71 M	1	4700-240	Weight Mount
39			Not Used	71 N	2	4700-318	Increment Weight Rod
40	4	FB030232	Radial Brg 17 mm ID (Ext Race)	71 O	1	4700-319	Frame Mount Increment Weight
41 A	90"	GB000202	Weight Stack Belt .95" wide	71 P	2	4701-001	Top Weight Guide
41 B	43"	GB000202	Rear Belt .95" wide	71 Q	2	4700-321	Rubber Washer
42	3	GP000209	Pulley Assembly 3.50	71 R	2	JC702820	SHCS .375-16 x 1.25
43			Not Used	71 S	2	HS348300	Split Lockwasher .375
44	4	HC702817	SHCS .375-16 x 1.00	71 T	1	4700-239	Top Weight
45	6	HC702822	SHCS .375-16 x 1.50	71 U	3	HC702816	SHCS .375-16 x .875
46			Not Used	72	2	4000Y316	Caution Decal
47	7	HC702830	SHCS .375-16 x 2.50	73	2	HF449063	Tube Insert
48	3	HN704901	Nylon Locknut .375-16	74	1	51198	Strength Warranty Sheet (not shown)
49			Removed	75	2	HC702834	SHCS .375-16 x 3.00
50	4	08007	Nylon Washer .515 x 1.00 x .062T	76	1	4520-213	Bracket
51			Not Used	77	1	4520-362	Caution Decal
52			Not Used	78	2	HS347700	Washer USS .375
53	4	HT102214	Tap Screw #10-12 x .625 A (Phil)	79	2	JC702812	SHCS .375-16 x .50
54			Not Used	80	9	4000C101	Stack Weight 4 x 18 (not shown)
55			Not Used	81	2	11090-376	Handle Grip Ring
56	4	HN784000	Hex Nut .500-13	82	4	JS347400	Internal Tooth Lockwasher
57			Not Used	83	4	JC620422	BHSCS .250-20 x 1.50
58	2	PN660201	Hole Plug				

OVERHEAD PRESS - SINGLE AXIS - 4526

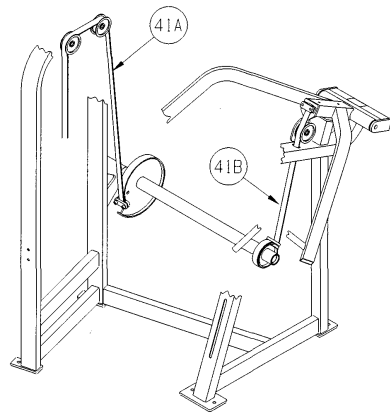


THE GAP BETWEEN
THE CLAMPING BOLTS
AND THE BELT NEEDS
TO BE 1/32" TO 3/8"



BELT ROUTING DETAIL

BELT CLAMPING DETAIL



BELT ROUTING DETAIL